

DATA SHEET

OM5610

Matchbox global FM tuner

Preliminary specification
Supersedes data of 1997 Feb 07
File under Integrated Circuits, IC01

1997 Apr 25

Matchbox global FM tuner

OM5610

FEATURES

- Local/DX switching to improve large signal handling on FM when an outdoor antenna or cable network is connected
- MPX-RDS signal available
- The module meets the "FCC regulations"
- Small size.

ORDERING INFORMATION

UNIT	FREQUENCY (MHz)	BUS
OM5610	87.5 to 108	3-wire bus

GENERAL DESCRIPTION

The OM5610 is a global FM-radio tuner (except Japan) which includes a brand new concept in tuning techniques. The new tuning concept combines the advantages of hand tuning together with electronic facilities and features.

TOP VIEW

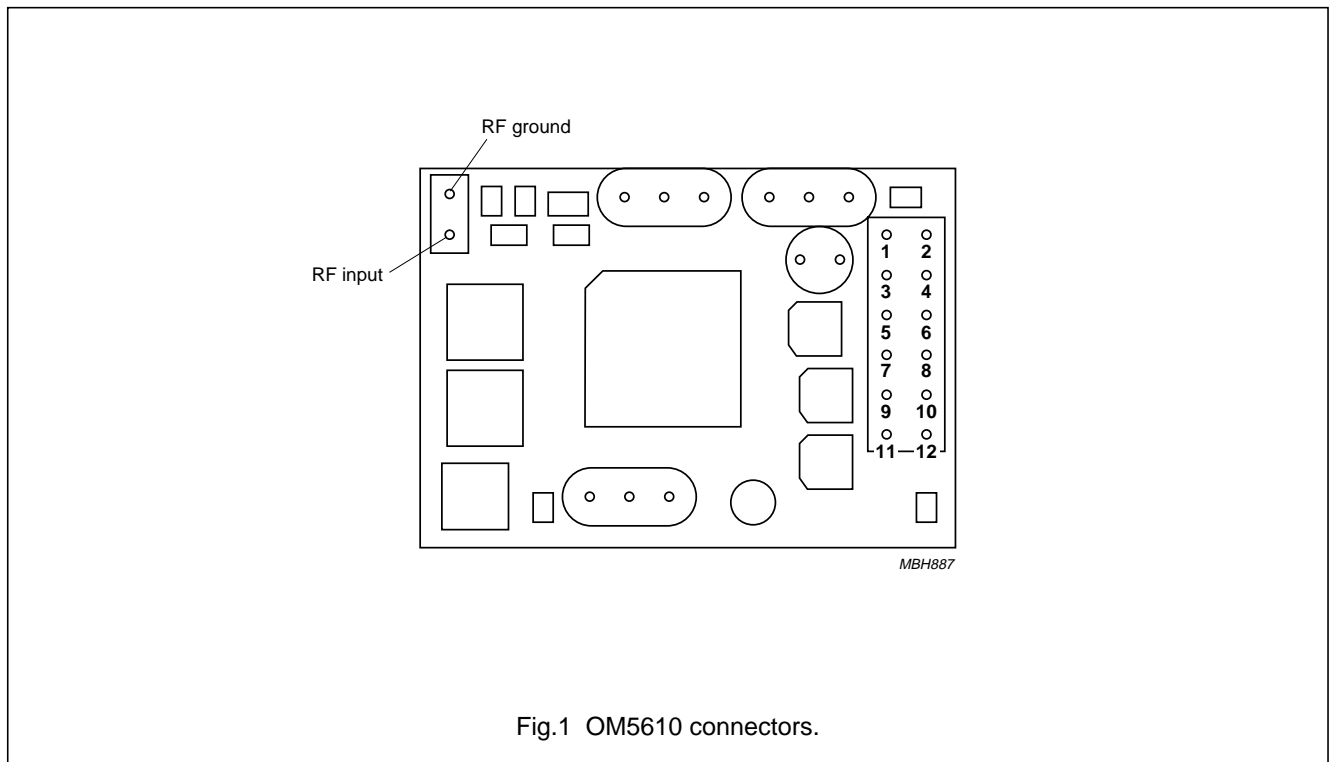


Fig.1 OM5610 connectors.

Matchbox global FM tuner

OM5610

PINNING

PIN	DESCRIPTION
1	ground
2	ground
3	WREN
4	CLCK
5	STEREO
6	DATA
7	supply voltage (+5 V)
8	supply voltage (+12 V)
9	audio right output
10	ground
11	audio left output
12	MPX-RDS

FUNCTIONAL DESCRIPTION

The OM5610 is an integrated FM stereo radio circuit including digital tuning and control functions.

The radio

The radio circuit incorporates a tuned RF stage, a double balanced mixer, a one-pin oscillator and is designed for distributed IF ceramic filters. The FM quadrature detector uses a ceramic resonator.

The PLL stereo decoder incorporates a signal dependent stereo-blend circuit and a soft-mute circuit.

Tuning

The tuning-concept of Self Tuned Radio (STR) is based on FUZZY LOGIC: it mimics hand tuning (hand tuning is a combination of coarse and fine tuning to the qualitatively best frequency position). As a consequence the tuning system is very fast.

The tuning algorithm, which is controlled by a sequential circuit, is completely integrated; so there are only a few external components needed.

The bus and the microcontroller can be kept very simple. The bus only consists of three wires (CLCK, DATA and WREN). The microcontroller must basically give two instructions:

- Preset operation
- Search operation.

PRESET OPERATION

In preset mode, the microcontroller has to load information such as frequency band, frequency and mono/stereo. This information has to be sent via the bus to the tuner. The internal algorithm controls the tuning sequence as follows:

1. The information is loaded into a shift register, a last-station memory and the counter.
2. The Automatic Frequency Control (AFC) is switched-off.
3. The counter starts counting the frequency and the tuning voltage is varied until the real frequency roughly equals the desired frequency.
4. The AFC is then switched on and the real frequency is more precisely tuned to the actual IF frequency.
5. After the AFC has tuned the real frequency to the desired frequency an in-lock signal is generated; then the counter is switched off. In order to get a reliable in-lock signal, there are two parameters measured: the field strength and the S-curve.
6. The field strength indicates the strength of the station and by looking at the S-curve the system can detect an in-lock situation.

In the event of fading or pulling the in-lock signal becomes logic 0 and the synthesizer will be switched on again (maintaining last station) and the algorithm will be repeated.

SEARCH OPERATION

During a search operation, the only action the microcontroller has to take is: sending the desired band plus the direction and the search sensitivity level to the tuner. The search operation is performed by the charge pump until an in-lock signal is generated (combination of measuring the field strength and the S-curve). By looking at the S-curve the system can distinguish false in-locks from real in-locks (false in-locks occur on the wrong slope of the S-curve). The AFC then fine tunes to the station. The frequency of the found station will be counted by the counter and written into the last-station memory and the shift register of the counter. At this time the frequency is available in the shift register and can be read by the microcontroller. The microcontroller decides whether the frequency is within the desired frequency band. If so, this frequency can be stored under a preset and if not, a new search action should be started.

Matchbox global FM tuner

OM5610

Description of the bus

The OM5610 radio has a bus which consists of three wires, as shown in Table 1.

Table 1 Bus signals

SIGNAL	DESCRIPTION	PIN
CLCK	software driven clock input	4
DATA	data input/output	6
WREN	write/read-input	3

These three signals, together with the mono/stereo pin (STEREO; pin 5), communicate with the microcontroller. The mono/stereo indicator has two functions, which are controlled by the CLCK, as shown in Table 2.

Table 2 Bus-clock functions

CLCK	STEREO (PIN 5)	RESULT
LOW	LOW	stereo
LOW	HIGH	mono
HIGH	LOW	tuned
HIGH	HIGH	not tuned

The OM5610 has a 25-bit shift register; see Table 3 for an explanation of the shift register bits.

If in search mode no transmitter can be found, all frequency bits of the shift register are set to logic 0.

The bus protocol is depicted in Figs 2 and 3 and 4.

Table 3 Explanation of the shift register bits

BIT	DESCRIPTION	LOGIC STATE	RESULT
S.24 (MSB)	search start/end	0	after a search when a station is found or after a preset
		1	during the search action
D.23	search up/down	0	indicates if the radio has to search down
		1	indicates if the radio has to search up
M.22	mono/stereo	0	stereo is allowed
		1	mono is required (radio switched to forced mono)
B0.21	band	0	selects FM band
B1.20	band	0	selects FM band
P0.19	local/DX	0	local
		1	DX
P1.18	not used	0	
S0.17	search-level of station	see Table 4	determines the locking field strength during a search operation
S1.16			
15	dummy	0	buffer
F.14 to F.0 (LSB)	frequency	–	determine the tuning frequency of the radio; see Table 5 for the bit values

Matchbox global FM tuner

OM5610

Table 4 Truth table for bits 16 and 17

S0.17	S1.16	SEARCH LEVEL FM (μV)
0	0	>15
1	0	>35
0	1	>75
1	1	>300

Table 5 Values for bits F.14 to F.0

BIT	BIT VALUE	FM VALUE ⁽¹⁾ (kHz)
F.14	2^{14}	–
F.13	2^{13}	102400
F.12	2^{12}	51200
F.11	2^{11}	25600
F.10	2^{10}	12800
F.9	2^9	6400
F.8	2^8	3200
F.7	2^7	1600
F.6	2^6	800
F.5	2^5	400
F.4	2^4	200
F.3	2^3	100
F.2	2^2	50
F.1	2^1	25
F.0	2^0	12.5

Note

- FM value of the affected oscillators:
 - FM VALUE = FM-RF + FM-IF.

READING DATA

While WREN is LOW data can be read by the microcontroller. At a rising edge of the CLCK, data is shifted out of the register. This data is available from the point where the CLCK is HIGH until the next rising edge of the CLCK occurs (see Fig.2).

To read the entire shift register 24 clock pulses are necessary.

WRITING DATA

While WREN is HIGH the microcontroller can transmit data to the OM5610 (hard mute is active). At a rising edge of the CLCK, the register shifts and accepts one bit into LSB. At CLCK LOW the microcontroller writes data (see Fig.3).

To write the entire shift register 25 clock pulses are necessary.

Matchbox global FM tuner

OM5610

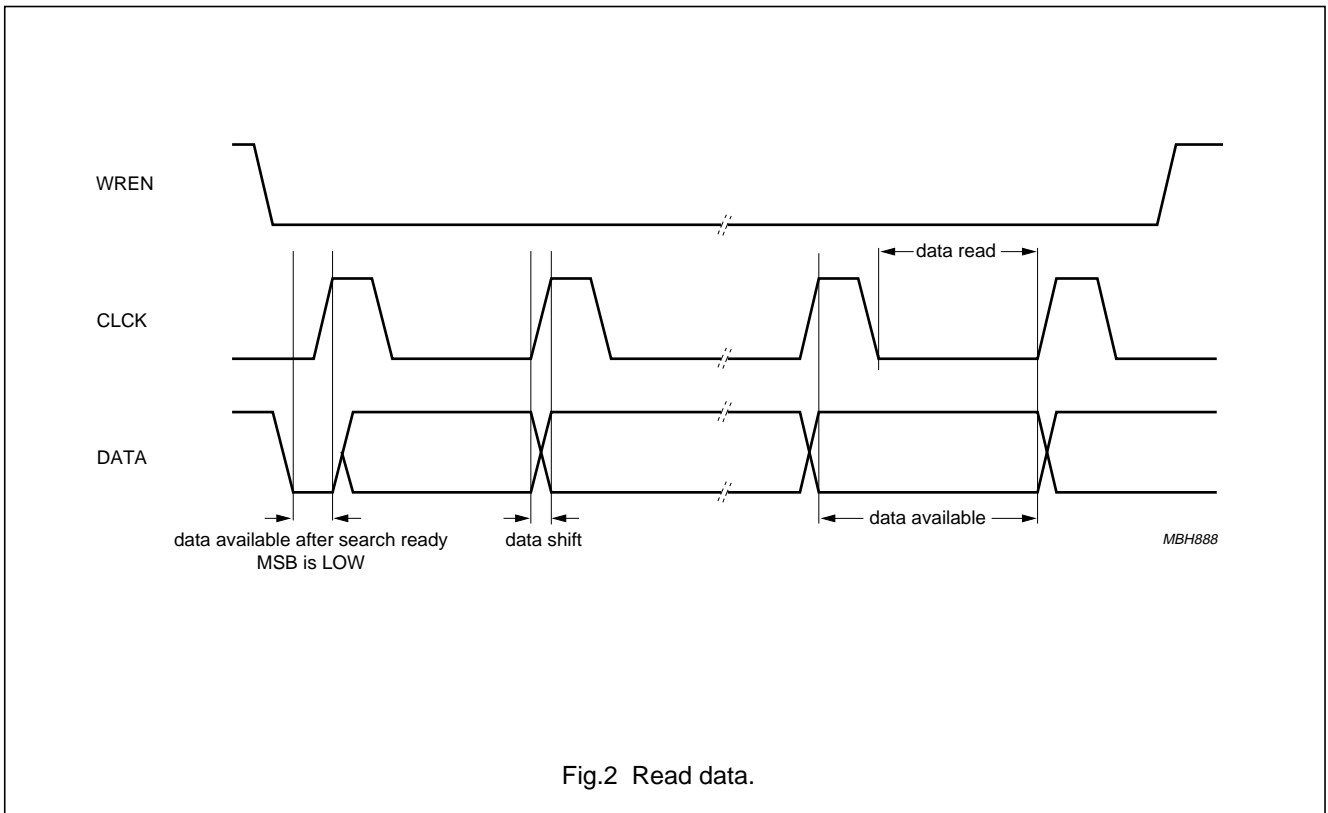


Fig.2 Read data.

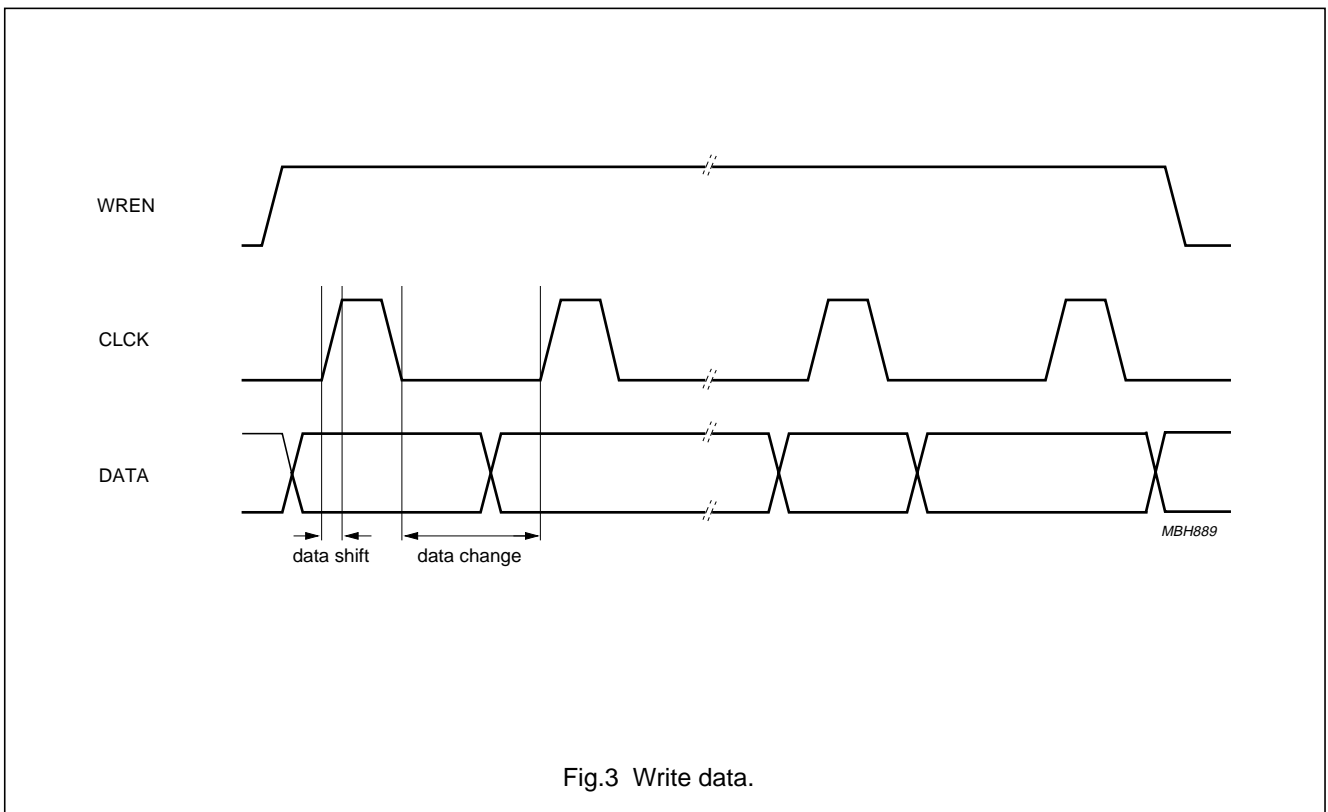


Fig.3 Write data.

Matchbox global FM tuner

OM5610

BUS TIMING

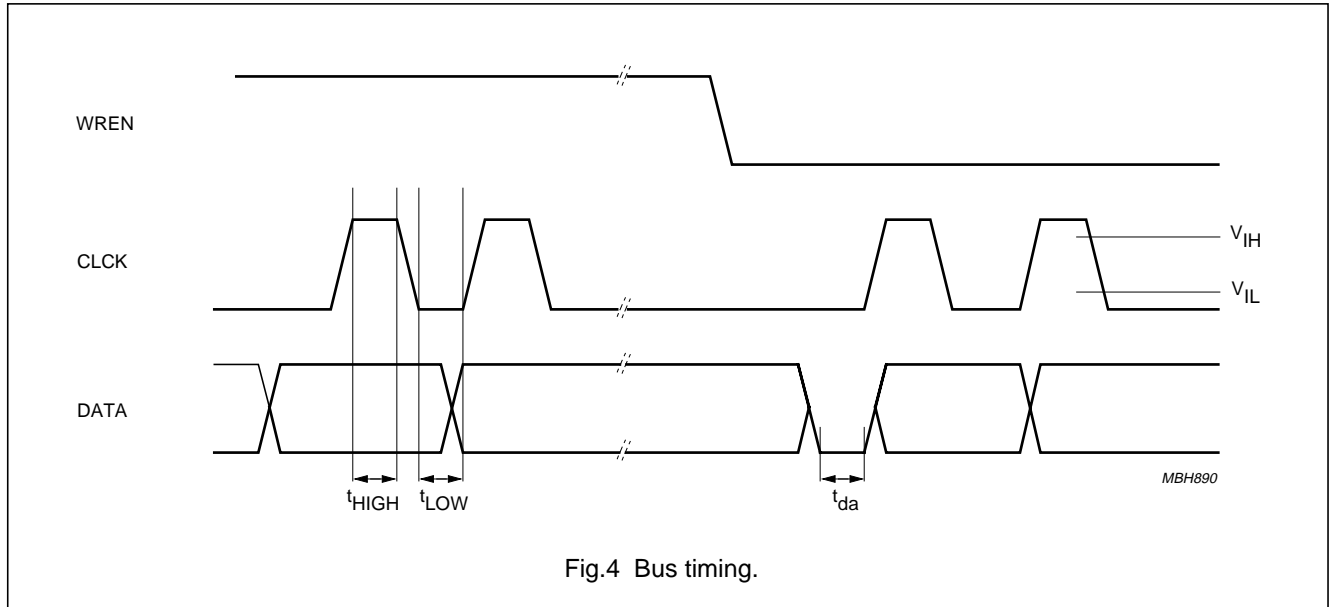


Fig.4 Bus timing.

Table 6 Digital inputs

SYMBOL	PARAMETER	MIN.	MAX.	UNIT
Digital inputs				
V _{IH}	HIGH level input voltage	1.4	–	V
V _{IL}	LOW level input voltage	–	0.6	V
Timing				
f _{clk}	clock frequency	–	300	kHz
t _{HIGH}	clock HIGH time	1.67	–	μs
t _{LOW}	clock LOW time	1.67	–	μs
t _{da}	shift register available after 'search ready'	–	14	μs

INTERFACE

- Digital driving: 3-wire bus
- Audio output: typical 160 mV RMS for Δf = 75 kHz (unloaded; Z_o = 5 kΩ)
- Supply voltages:
 - Pin 7: 5 V ±10% current ≤25 mA
 - Pin 8: 9 to 12 V, current ≤2 mA, ripple ≤1 V
- MPX-RDS: DC coupled (load ≥39 kΩ), amplitude typical 150 mV (Δf = 75 kHz)
- RF input connector: 2-pin connector, to be driven from a 75 Ω source
- 12 pin connector.

Matchbox global FM tuner

OM5610

LIMITING VALUES

IEC publication 68-1; full specification; EMC behaviour: the module is designed to be FCC friendly (part 15).

SYMBOL	PARAMETER	CONDITIONS	MIN.	MAX.	UNIT
RH	relative humidity		25	85	%
T _{amb}	operating ambient temperature	functional operation	-10	+60	°C
T _{stg}	storage temperature		-20	+70	°C
V _{es(pc)}	electrostatic handling for pin connector	note 1	-	2	kV
		note 2	-	300	V
V _{es(RFc)}	electrostatic handling for RF connector	note 3	-	4	kV
		note 4	-	500	V

Notes

1. Class B: human body model (1.5 k Ω , 100 pF).
2. Class B: charge device model (0 Ω , 200 pF).
3. Class A: human body model (1.5 k Ω , 100 pF).
4. Class A: charge device model (0 Ω , 200 pF).

Matchbox global FM tuner

OM5610

CHARACTERISTICS

RF signal generator impedance = 50 Ω; dummy used (see Fig.5); RF levels are EMF/2; Δf = 75 kHz; f_i = 98 MHz; f_{mod} = 1 kHz; left and right audio output; audio filter = 22 Hz to 15 kHz; temperature range = 15 to 35 °C.

SYMBOL	PARAMETER	CONDITIONS	MIN.	TYP.	MAX.	UNIT
FM mono						
Φ _{lim}	3 dB limiting sensitivity	V _{9, 11} = -3 dB; V _{9, 11} = 0 dB at V _{FMi} > 100 μV	-	5.5	7.5	μV
Φ _{RF}	RF sensitivity	(S + N)/N = 26 dB	-	3.5	5	μV
S/N	signal-to-noise ratio	V _{FMi} = 1 mV	-	68	-	dB
f _L	lower audio frequency bandwidth limit	measured lower limit (-3 dB); f _{ref} = 1 kHz; measured with pre-emphasis	-	40	70	Hz
f _H	upper audio frequency bandwidth limit	measured upper limit (-3 dB); f _{ref} = 1 kHz; measured with pre-emphasis	12.5	14	-	kHz
α _{AM}	AM suppression	AM modulation m = 30%; f _{AF} = 1 kHz	40	50	-	dB
THD	total harmonic distortion		-	1.5	3	%
V _{FMi}	search sensitivity	search stop bits S0.17 and S1.16 = 0	-	15	-	μV
α _{RF}	RF attenuation in local mode		15	20	30	dB
V _{FM}	audio output voltage level	V _{FMi} = 1 mV; unloaded	-	160	-	mV
FM stereo						
S/N	signal-to-noise ratio	V _{FMi} = 1 mV	60	63	-	dB
α _{cs}	channel separation	f _{AF} = 1 kHz; V _{FMi} = 1 mV	22	28	-	dB
ΔI _O	channel imbalance	f _{AF} = 1 kHz; V _{FMi} = 1 mV	-	0.5	3	dB
α	stereo blend function	V _{FMi} = 100 μV	5	10	-	dB
THD	total harmonic distortion		-	-	3	%

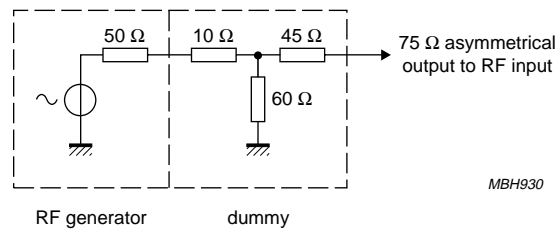


Fig.5 RF signal generator and dummy.

Matchbox global FM tuner

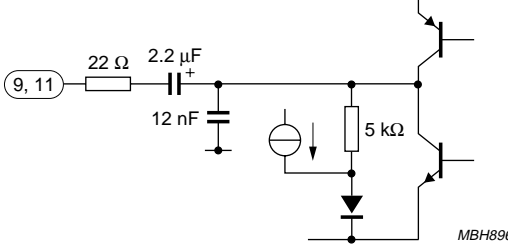
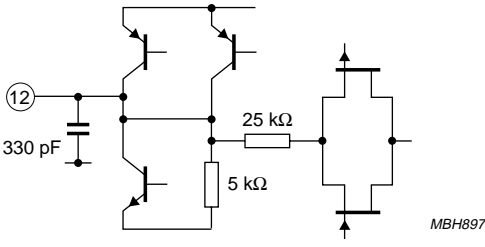
OM5610

INTERNAL CIRCUITRY

PIN	DESCRIPTION	DC VOLTAGE (V)	EQUIVALENT CIRCUIT
1	ground	0	
2	ground	0	
3	WREN	-	
6	DATA	-	
4	CLCK	-	
5	STEREO	-	
7	+5 V	5	
8	+12 V	12	

Matchbox global FM tuner

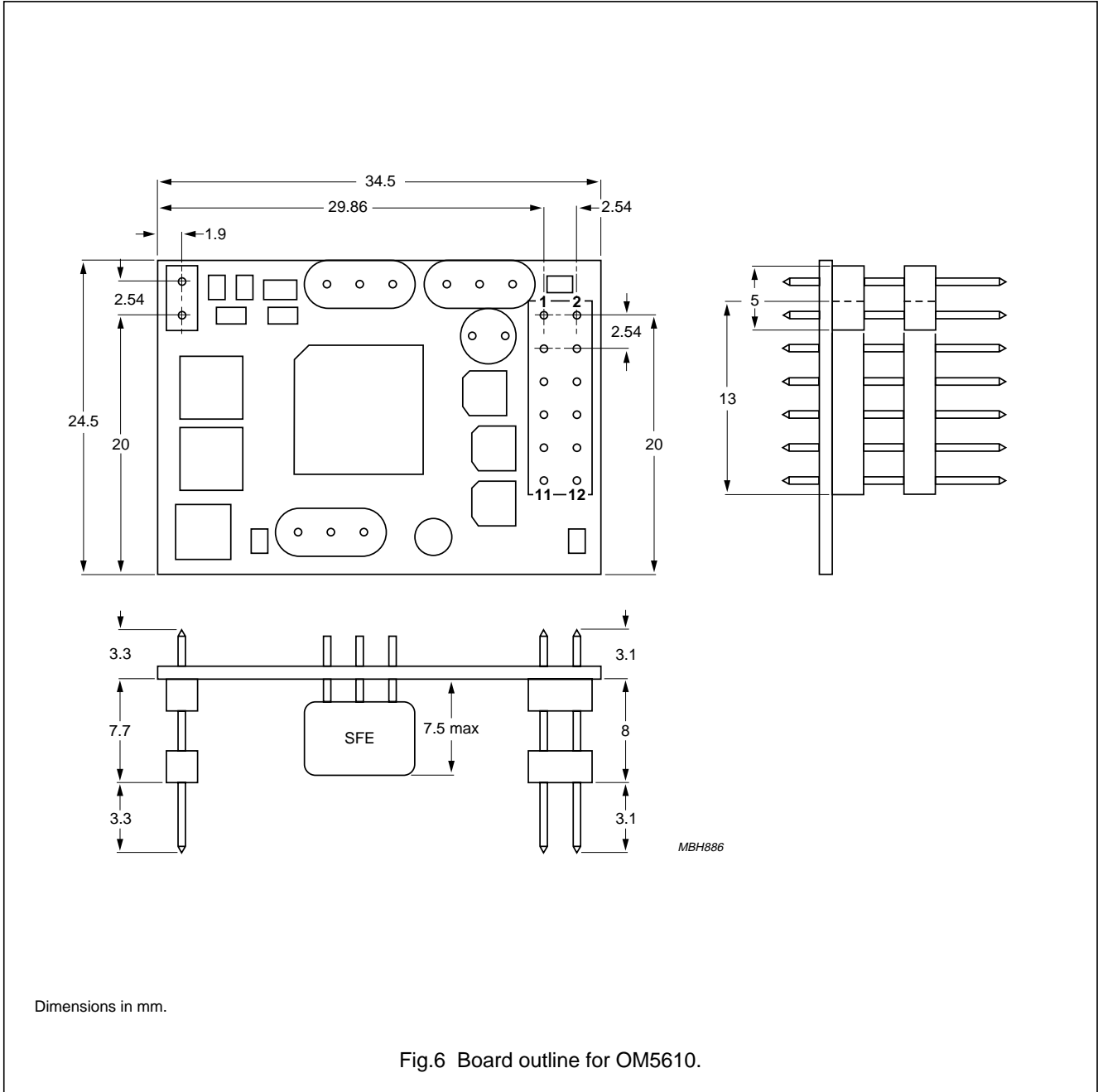
OM5610

PIN	DESCRIPTION	DC VOLTAGE (V)	EQUIVALENT CIRCUIT
9	audio right output	0	
11	audio left output	0	
10	ground	0	
12	MPX-RDS	0.7	

Matchbox global FM tuner

OM5610

BOARD OUTLINE



Matchbox global FM tuner

OM5610

DEFINITIONS

Data sheet status	
Objective specification	This data sheet contains target or goal specifications for product development.
Preliminary specification	This data sheet contains preliminary data; supplementary data may be published later.
Product specification	This data sheet contains final product specifications.
Limiting values	
Limiting values given are in accordance with the Absolute Maximum Rating System (IEC 134). Stress above one or more of the limiting values may cause permanent damage to the device. These are stress ratings only and operation of the device at these or at any other conditions above those given in the Characteristics sections of the specification is not implied. Exposure to limiting values for extended periods may affect device reliability.	
Application information	
Where application information is given, it is advisory and does not form part of the specification.	

LIFE SUPPORT APPLICATIONS

These products are not designed for use in life support appliances, devices, or systems where malfunction of these products can reasonably be expected to result in personal injury. Philips customers using or selling these products for use in such applications do so at their own risk and agree to fully indemnify Philips for any damages resulting from such improper use or sale.

Matchbox global FM tuner

OM5610

NOTES

Matchbox global FM tuner

OM5610

NOTES

Philips Semiconductors – a worldwide company

Argentina: see South America

Australia: 34 Waterloo Road, NORTH RYDE, NSW 2113,
Tel. +61 2 9805 4455, Fax. +61 2 9805 4466

Austria: Computerstr. 6, A-1101 WIEN, P.O. Box 213,
Tel. +43 1 60 101, Fax. +43 1 60 101 1210

Belarus: Hotel Minsk Business Center, Bld. 3, r. 1211, Volodarski Str. 6,
220050 MINSK, Tel. +375 172 200 733, Fax. +375 172 200 773

Belgium: see The Netherlands

Brazil: see South America

Bulgaria: Philips Bulgaria Ltd., Energoproject, 15th floor,
51 James Bourchier Blvd., 1407 SOFIA,
Tel. +359 2 689 211, Fax. +359 2 689 102

Canada: PHILIPS SEMICONDUCTORS/COMPONENTS,
Tel. +1 800 234 7381

China/Hong Kong: 501 Hong Kong Industrial Technology Centre,
72 Tat Chee Avenue, Kowloon Tong, HONG KONG,
Tel. +852 2319 7888, Fax. +852 2319 7700

Colombia: see South America

Czech Republic: see Austria

Denmark: Prags Boulevard 80, PB 1919, DK-2300 COPENHAGEN S,
Tel. +45 32 88 2636, Fax. +45 31 57 0044

Finland: Sinikalliontie 3, FIN-02630 ESPOO,
Tel. +358 9 615800, Fax. +358 9 61580920

France: 4 Rue du Port-aux-Vins, BP317, 92156 SURESNES Cedex,
Tel. +33 1 40 99 6161, Fax. +33 1 40 99 6427

Germany: Hammerbrookstraße 69, D-20097 HAMBURG,
Tel. +49 40 23 53 60, Fax. +49 40 23 536 300

Greece: No. 15, 25th March Street, GR 17778 TAVROS/ATHENS,
Tel. +30 1 4894 339/239, Fax. +30 1 4814 240

Hungary: see Austria

India: Philips INDIA Ltd, Shivsagar Estate, A Block, Dr. Annie Besant Rd.
Worli, MUMBAI 400 018, Tel. +91 22 4938 541, Fax. +91 22 4938 722

Indonesia: see Singapore

Ireland: Newstead, Clonskeagh, DUBLIN 14,
Tel. +353 1 7640 000, Fax. +353 1 7640 200

Israel: RAPAC Electronics, 7 Kehilat Saloniki St, PO Box 18053,
TEL AVIV 61180, Tel. +972 3 645 0444, Fax. +972 3 649 1007

Italy: PHILIPS SEMICONDUCTORS, Piazza IV Novembre 3,
20124 MILANO, Tel. +39 2 6752 2531, Fax. +39 2 6752 2557

Japan: Philips Bldg 13-37, Kohnan 2-chome, Minato-ku, TOKYO 108,
Tel. +81 3 3740 5130, Fax. +81 3 3740 5077

Korea: Philips House, 260-199 Itaewon-dong, Yongsan-ku, SEOUL,
Tel. +82 2 709 1412, Fax. +82 2 709 1415

Malaysia: No. 76 Jalan Universiti, 46200 PETALING JAYA, SELANGOR,
Tel. +60 3 750 5214, Fax. +60 3 757 4880

Mexico: 5900 Gateway East, Suite 200, EL PASO, TEXAS 79905,
Tel. +9-5 800 234 7381

Middle East: see Italy

Netherlands: Postbus 90050, 5600 PB EINDHOVEN, Bldg. VB,
Tel. +31 40 27 82785, Fax. +31 40 27 88399

New Zealand: 2 Wagener Place, C.P.O. Box 1041, AUCKLAND,
Tel. +64 9 849 4160, Fax. +64 9 849 7811

Norway: Box 1, Manglerud 0612, OSLO,
Tel. +47 22 74 8000, Fax. +47 22 74 8341

Philippines: Philips Semiconductors Philippines Inc.,
106 Valero St. Salcedo Village, P.O. Box 2108 MCC, MAKATI,
Metro MANILA, Tel. +63 2 816 6380, Fax. +63 2 817 3474

Poland: Ul. Lukiska 10, PL 04-123 WARSZAWA,
Tel. +48 22 612 2831, Fax. +48 22 612 2327

Portugal: see Spain

Romania: see Italy

Russia: Philips Russia, Ul. Usatcheva 35A, 119048 MOSCOW,
Tel. +7 095 755 6918, Fax. +7 095 755 6919

Singapore: Lorong 1, Toa Payoh, SINGAPORE 1231,
Tel. +65 350 2538, Fax. +65 251 6500

Slovakia: see Austria

Slovenia: see Italy

South Africa: S.A. PHILIPS Pty Ltd., 195-215 Main Road Martindale,
2092 JOHANNESBURG, P.O. Box 7430 Johannesburg 2000,
Tel. +27 11 470 5911, Fax. +27 11 470 5494

South America: Rua do Rocio 220, 5th floor, Suite 51,
04552-903 São Paulo, SÃO PAULO - SP, Brazil,
Tel. +55 11 821 2333, Fax. +55 11 829 1849

Spain: Balmes 22, 08007 BARCELONA,
Tel. +34 3 301 6312, Fax. +34 3 301 4107

Sweden: Kottbygatan 7, Akalla, S-16485 STOCKHOLM,
Tel. +46 8 632 2000, Fax. +46 8 632 2745

Switzerland: Allmendstrasse 140, CH-8027 ZÜRICH,
Tel. +41 1 488 2686, Fax. +41 1 481 7730

Taiwan: Philips Semiconductors, 6F, No. 96, Chien Kuo N. Rd., Sec. 1,
TAIPEI, Taiwan Tel. +886 2 2134 2865, Fax. +886 2 2134 2874

Thailand: PHILIPS ELECTRONICS (THAILAND) Ltd.,
209/2 Sanpavuth-Bangna Road Prakanong, BANGKOK 10260,
Tel. +66 2 745 4090, Fax. +66 2 398 0793

Turkey: Talatpasa Cad. No. 5, 80640 GÜLTEPE/ISTANBUL,
Tel. +90 212 279 2770, Fax. +90 212 282 6707

Ukraine: PHILIPS UKRAINE, 4 Patrice Lumumba str., Building B, Floor 7,
252042 KIEV, Tel. +380 44 264 2776, Fax. +380 44 268 0461

United Kingdom: Philips Semiconductors Ltd., 276 Bath Road, Hayes,
MIDDLESEX UB3 5BX, Tel. +44 181 730 5000, Fax. +44 181 754 8421

United States: 811 East Arques Avenue, SUNNYVALE, CA 94088-3409,
Tel. +1 800 234 7381

Uruguay: see South America

Vietnam: see Singapore

Yugoslavia: PHILIPS, Trg N. Pasica 5/v, 11000 BEOGRAD,
Tel. +381 11 625 344, Fax. +381 11 635 777

For all other countries apply to: Philips Semiconductors, Marketing & Sales Communications,
Building BE-p, P.O. Box 218, 5600 MD EINDHOVEN, The Netherlands, Fax. +31 40 27 24825

Internet: <http://www.semiconductors.philips.com>

© Philips Electronics N.V. 1997

SCA54

All rights are reserved. Reproduction in whole or in part is prohibited without the prior written consent of the copyright owner.

The information presented in this document does not form part of any quotation or contract, is believed to be accurate and reliable and may be changed without notice. No liability will be accepted by the publisher for any consequence of its use. Publication thereof does not convey nor imply any license under patent- or other industrial or intellectual property rights.

Printed in The Netherlands

547027/1200/02/pp16

Date of release: 1997 Apr 25

Document order number: 9397 750 02167

Let's make things better.

**Philips
Semiconductors**



PHILIPS